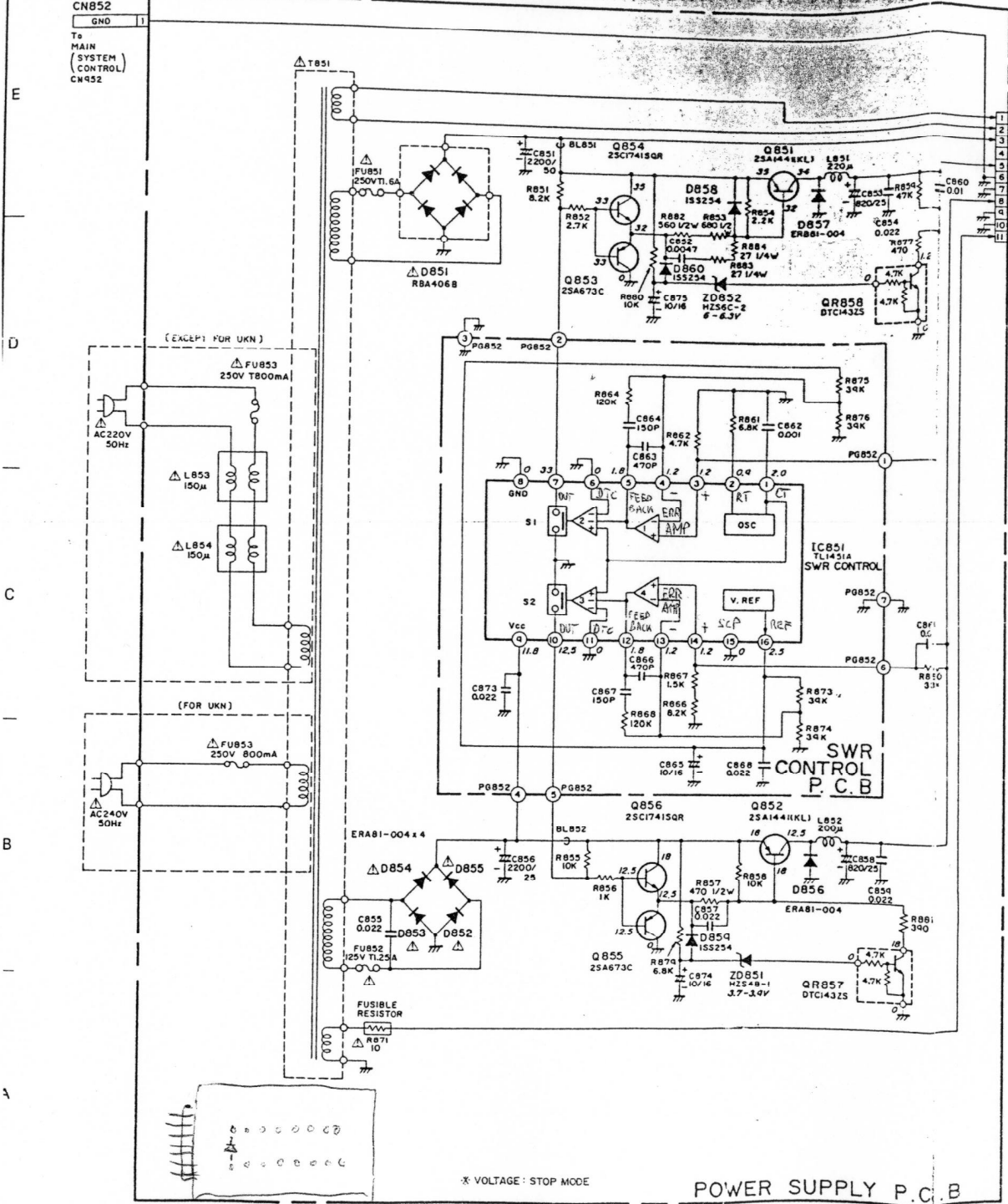
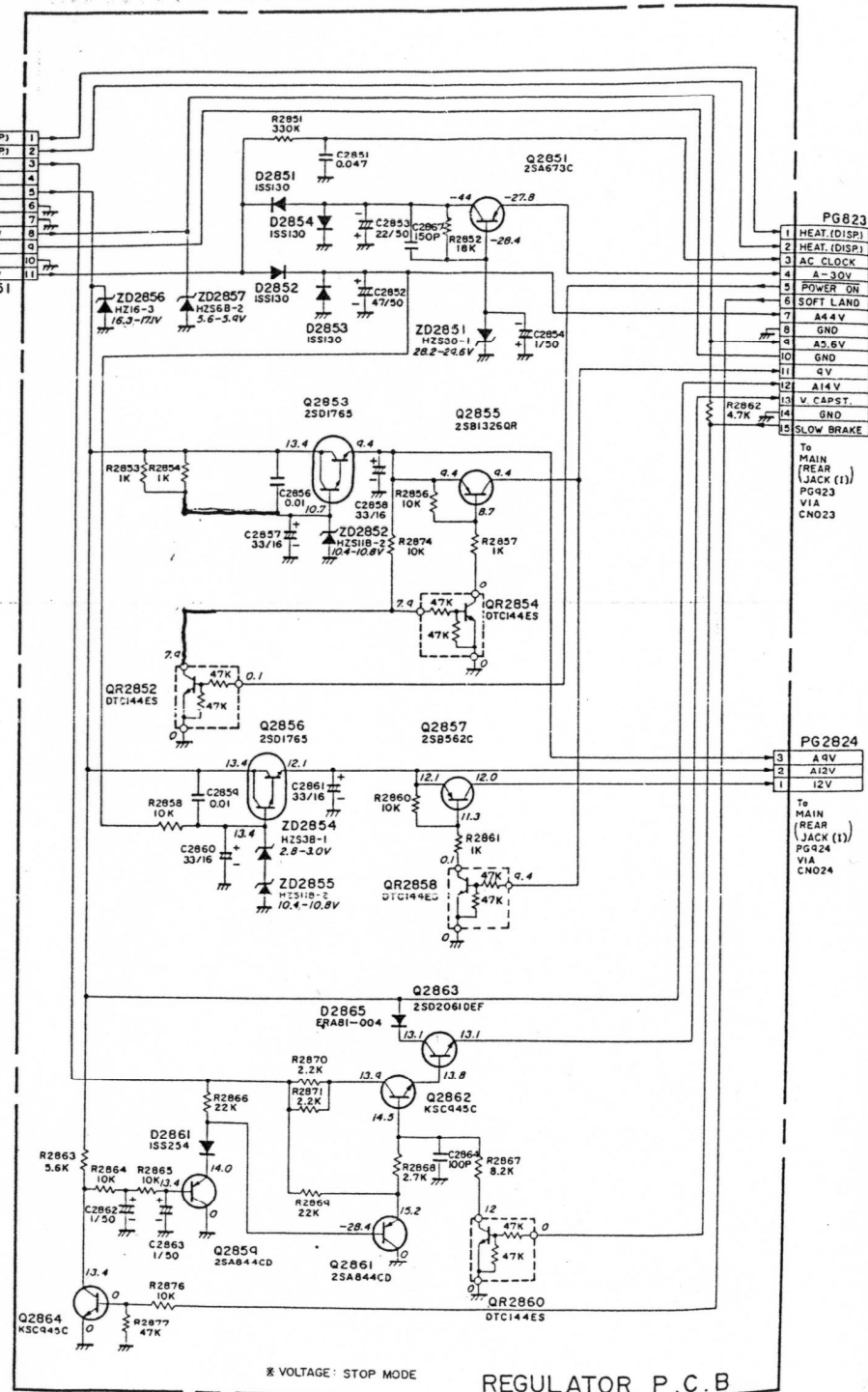


POWER SUPPLY SCHEMATIC DIAGRAM
(STROMVERSORGUNGS-SCHALTPLAN)

Hitachi VT-F785E(VPS)



POWER SUPPLY P.C.B



REGULATOR P.C.B